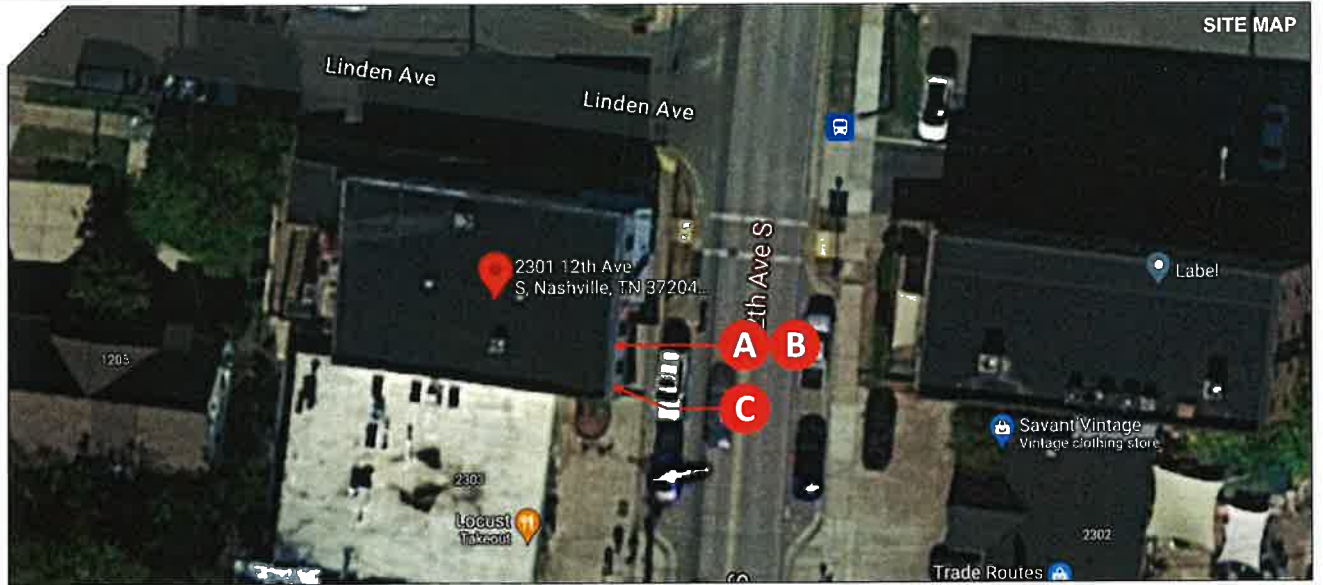




SCOPE OF WORK

SIGN A: Manufacture and install (1) set of Return-lit Channel Letters on Storefront Elevation
 SIGN B: Manufacture and install (1) set of Internally Illuminated D/F Blade Sign on Storefront Elevation



13158 ARCTIC CIR.
 SANTA FE SPRINGS
 CALIFORNIA 90670
 PH: (562) 436-5188
 www.TDISIGNS.com

THIS DESIGN IS THE PROPERTY OF TDI SIGNS, INC. IT IS NOT TO BE SHOWN TO ANYONE OUTSIDE OF YOUR BUSINESS WITHOUT THE WRITTEN PERMISSION OF THE DESIGNER. COLORS OR MATERIALS ARE A GRAPHIC REPRESENTATION. REFER TO CALIBRATED MATERIAL COLOURS TO BE USED.

PROJECT INFO:
 Gorjana
 Nashville
 2301 12th Ave S
 Nashville, TN
 37204

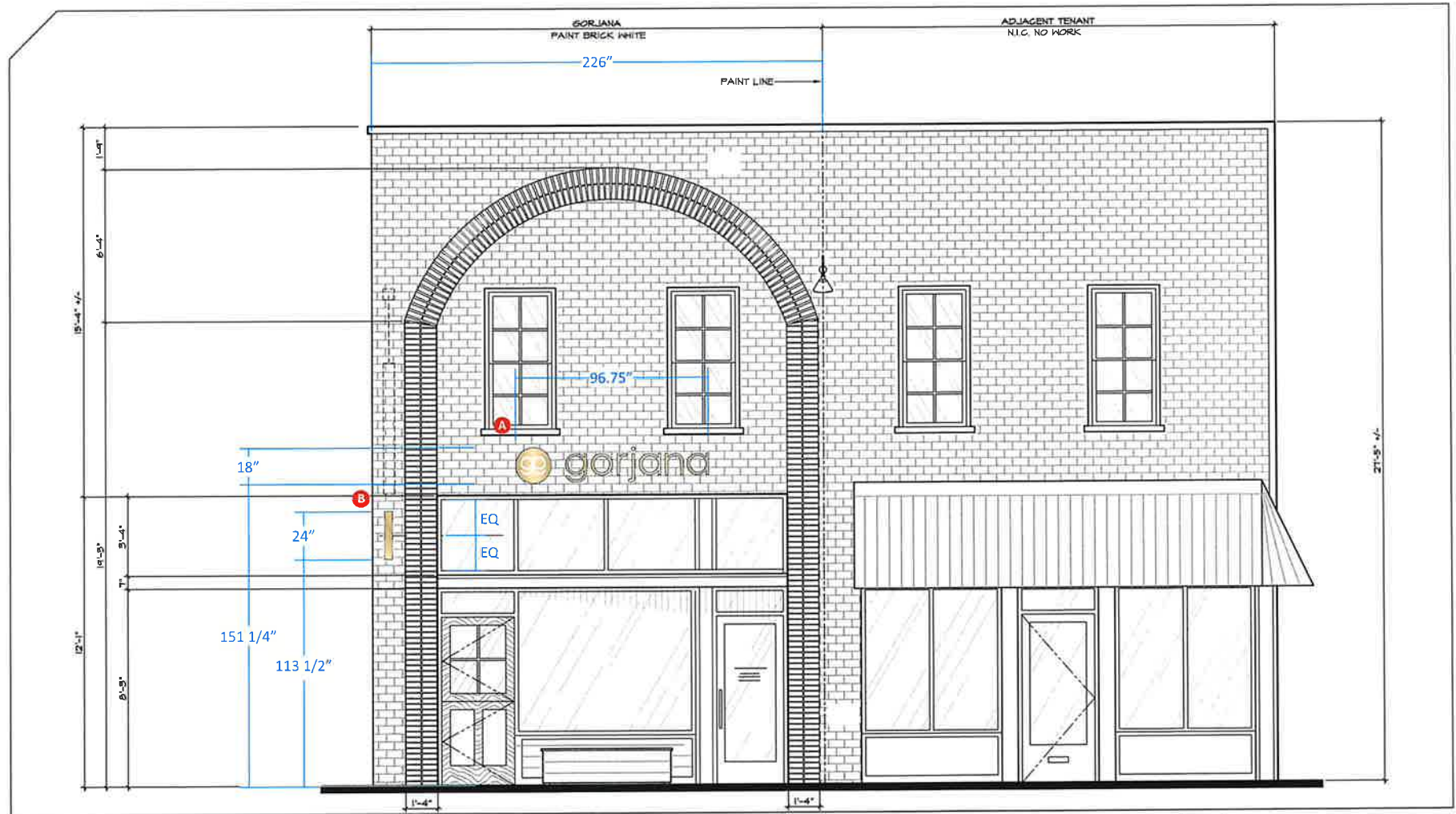
Account Manager: A. Rivas
Designer: VN
Approval:



#	INT.	DATE	DESCRIPTION
2	VN	6/16	Revised wall sign
3	VN	6/23	Added options
4	VN	11/28	New elevation
5	VN	12/3	Center Sign A
7	VN	1/25	Exterior Signs

1 OF 4
 04-01-22
 210287-08.0

STOREFRONT ELEVATION



TOTAL SIGN AREA: 17.05 SF **SCALE:** 1/4" = 1'



13158 ARCTIC CIR.
SANTA FE SPRINGS
CALIFORNIA 90670
PH: (562) 436-5188
www.TDISIGNS.com

THIS DESIGN IS THE PROPERTY OF TDI SIGNS INC. IT IS NOT TO BE REPRODUCED OR TRANSMITTED IN ANY FORM OR BY ANY MEANS, ELECTRONIC OR MECHANICAL, INCLUDING PHOTOCOPYING, RECORDING, OR BY ANY INFORMATION STORAGE AND RETRIEVAL SYSTEM. WITHOUT THE WRITTEN PERMISSION OF TDI SIGNS INC. ALL RIGHTS ARE RESERVED.

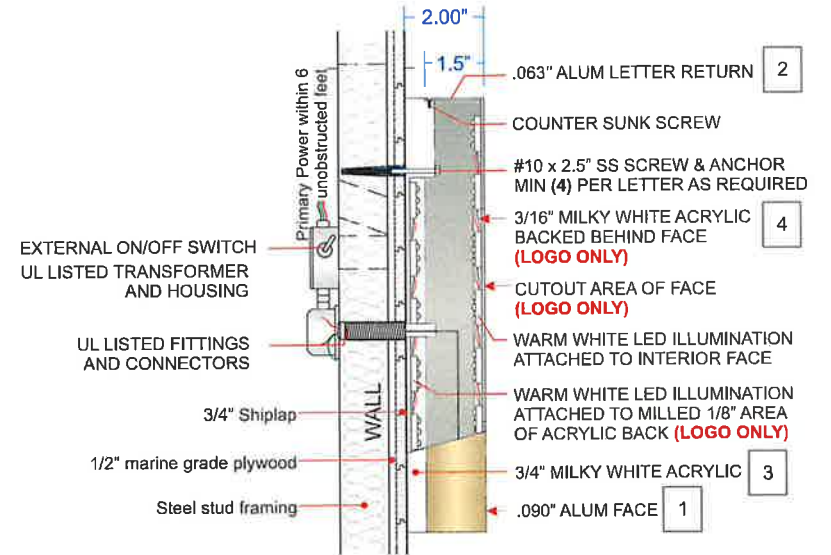
PROJECT INFO:
Gorjana
Nashville
2301 12th Ave S
Nashville, TN
37204

Account Manager: A. Rivas
Designer: VN
Approval:




#	INT.	DATE	DESCRIPTION
2	VN	6/16	Revised wall sign
3	VN	6/23	Added options
4	VN	11/29	New elevation
5	VN	12/3	Center Sign A
7	VN	1/25	Exterior Signs

INTERNALLY ILLUMINATED RETURN LIT CHANNEL LETTERS FLUSH MOUNTED TO WALL: SIGN A



SIGN A	QTY: 1
FACE: .090" ALUMINUM	
RETURNS: .063 ALUMINUM	
BACKS: 3/4" MILKY WHITE ACRYLIC	
LOGO BACKING: 3/16 WHITE ACRYLIC	
LED: UL LISTED WARM WHITE	
PAINT: PTM MP 14571 R16925 GOLD	

COLOR CHART
 MP 14571 R16925 GOLD

SIGN AREA:	12.19 SF
-------------------	-----------------

SCALE:	3/4" = 1'
---------------	------------------



13158 ARCTIC CIR.
SANTA FE SPRINGS
CALIFORNIA 90670
PH: (562) 436-5188
www.TDISIGNS.com

THIS SIGN IS THE PROPERTY OF TDI SIGNS INC. IT IS NOT TO BE REPRODUCED OR TRANSMITTED IN ANY FORM OR BY ANY MEANS, ELECTRONIC OR MECHANICAL, INCLUDING PHOTOCOPYING, RECORDING, OR BY ANY INFORMATION STORAGE AND RETRIEVAL SYSTEM. ANY REPRODUCTION OR TRANSMISSION WITHOUT THE WRITTEN PERMISSION OF TDI SIGNS INC. IS STRICTLY PROHIBITED. VISIT US TO OBTAIN THE LATEST INFORMATION ON OUR PRODUCTS AND SERVICES.

PROJECT INFO:
Gorjana
Nashville
2301 12th Ave S
Nashville, TN
37204

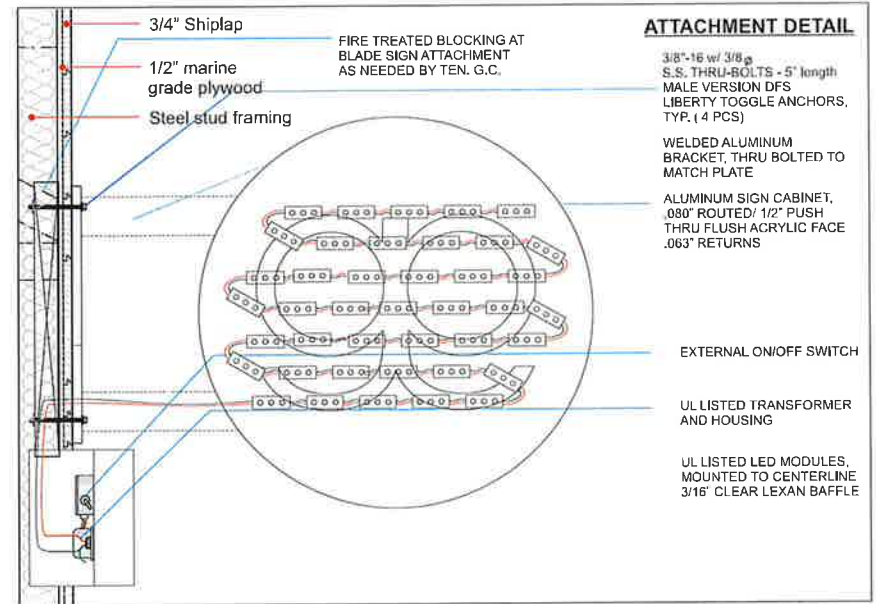
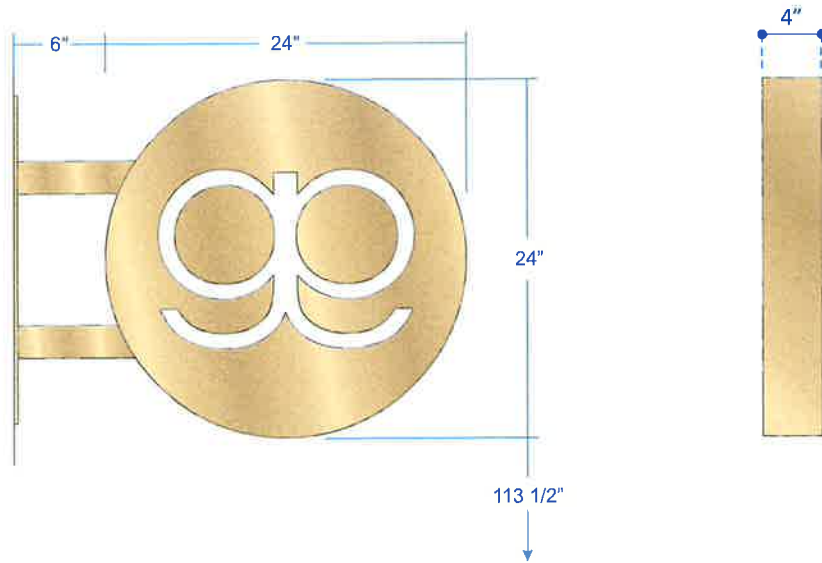
Account Manager: A. Rivas
Designer: VN
Approval:



#	INT.	DATE	DESCRIPTION
2	VN	6/16	Revised wall sign
3	VN	6/23	Added options
4	VN	11/29	New elevation
5	VN	12/3	Center Sign A
7	VN	1/25	Extensor Signs

3 OF 4
04-01-22
210287-08.0

INTERNALLY ILLUMINATED D/F BLADE SIGN : SIGN B



SIGN C QTY: 1

FACE: .090" ROUTED OUT ALUM.
 COPY: 1/2" ACRYLIC PUSH-THRU
 RETURNS: .063 ALUMINUM
 PAINT: MP 14571 R16925 GOLD

COLOR CHART

 MP 14571 R16925 GOLD

SIGN AREA: 4 SF

SCALE: 1 1/2" = 1'



1315B ARCTIC CIR.
 SANTA FE SPRINGS
 CALIFORNIA 90670
 PH: (562) 436-5188
 www.TDISIGNS.com

This drawing is the property of TDI Signs Inc. It is not to be shown to anyone outside of TDI Signs without written permission of TDI Signs Inc. All rights reserved. All other trademarks are the property of their respective owners.

PROJECT INFO:
 Gorjana
 Nashville
 2301 12th Ave S
 Nashville, TN
 37204

Account Manager: A. Rivas
Designer: VN
Approval:



#	INT.	DATE	DESCRIPTION
1	VN	6/16	Revised wall sign
2	VN	6/23	Added options
3	VN	11/29	New elevation
4	VN	12/3	Center Sign A
5	VN	1/25	Exterior Signs

4 OF 4
04-01-22
210287-08.0