

~~PROPOSAL~~

RIVERWALK

RIVERVALLEY DR. POLE LIGHTS



***RAINS
ELECTRIC
COMPANY***

COMMERCIAL

INDUSTRIAL

UTILITY

DRILLING

SERVICE

**JON MAGEE
ESTIMATOR/PROJECT MANAGER
M: (615) 415-7631
O: (615) 865-6869
E: JMAGEE@RAINSELECTRIC.COM**

-PROPOSAL-



RIVERWALK SUBDIVISION RIVERVALLEY DRIVE (5) NEW LIGHT POLES

PROPOSAL:

Rains Electric Company is pleased to offer this proposal for the electrical installation for the above project. This proposal includes all labor, material, and equipment necessary to install a complete electrical system per design/build and site evaluation from 1/24/23.

QUALIFICATIONS:

Standard warranty is one (1) year unless otherwise noted and excludes lamps. Payment and Performance bonds are not included in this quote. Bond Rate @ 2%. This quote is given in anticipation of a standard AIA Contract Form or mutually acceptable document.

Absolutely no changes will be performed prior to an approved (signed) changeorder.

Past due invoices subject to finance charges (1.5%/mo.) and customer will be liable for any legal or collection cost.

Due to the copper & steel market fluctuation this quote is valid for 14 days.

BASE PROPOSAL: \$44,650.00

SEE SCOPE & NOTES FOR DESIGN INCLUSIONS & EXCLUSIONS

Should you have questions concerning this quote I welcome your call.

**TN State Contractors License
Number: 29745
Classification: BC-A, B: CE:
Expiration Date: 11/30/2023
Monetary Limit: Unlimited
Metro # BC781**

-SCOPE OF WORK-



SYSTEMS	INCLUDED	EXCLUDED	GC PROVIDED	COMMENTS
Distribution Switchgear		X		INCLUDES CIRCUITRY FROM EXISTING LIGHTING
Exterior Lighting/Controls	X			SEE ATTACHED SPECIFICATION SHEETS
Interior Lighting/Controls		X		NA
Fans		X		NA
Fire Alarm Systems		X		NA
Area of Refuge		X		NA
Wireless Clock System		X		NA
Access Control		X		NA
Security & Cameras		X		NA
CCTV/DATA		X		NA
Speakers/Paging		X		NA
Audio Visual		X		NA
Generator - ATS		X		NA
Electrical utility		X		NA
Low Voltage utility		X		NA
Electrical grounding & bonding	X			PER NEC
Feeders	X			INCLUDES COPPER UG CONDUCTERS
HVAC Control RI & WIRING		X		NA
MISC. Low voltage wiring		X		NA
Lightning Protection		X		NA
SITE / INTERIOR	INCLUDED	EXCLUDED	GC PROVIDED	COMMENTS
Polebases	X			24" X 60"D CONCRETE POLE FOUNDATION W/ 24' EXPOSED
Excavation & Backfill	X			PER NEC REQUIREMENTS
Rock Excavation/Boring		X		SEE NOTES
Concrete Encasement		X		NA
Concrete Pads Exterior		X		NA
House Keeping Pads Interior		X		NA
Utility junction boxes		X		NA
Spoil Removal		X		SEE NOTES
Asphalt Cutting and Patching		X		NA
Concrete Cutting and Patching		X		NA
Core Drilling		X		ELECTRICAL & SUBCONTRACTORS OF ONLY
SPECIAL SYSTEMS	INCLUDED	EXCLUDED	GC PROVIDED	COMMENTS
Cable Tray		X		FURNISHED & INSTALLED BY OTHERS
structured cabling		X		FURNISHED & INSTALLED BY OTHERS
MDF & IDF buildout		X		FURNISHED & INSTALLED BY OTHERS
Instrumentation Wiring		X		NA
Instrumentation Devices		X		NA
Instrumentation PB & Sw.		X		NA
Instrumentation Control Panels		X		NA
Owner Supplied Items		X		NA
Devices	X			UTILIZES EXISTING PC CONTROLS
Disconnects		X		NA
MISCELLANEOUS	INCLUDED	EXCLUDED	GC PROVIDED	COMMENTS
Scale/Prevailing Wages		X		NA
BIM Modeling & coordination		X		NA
Billing software		X		NA
CAD & Design software		X		NA
Premium time/Overtime/holidays		X		NA
Third Party Testing		X		NA
Erosion control & Dewatering		X		NA
Traffic Control/Escorting		X		NA
Demolition		X		FURNISHED BY OTHERS
Abatement		X		NA
Permits		X		ELECTRICAL PERMITS ONLY
Survey		X		FURNISHED BY OTHERS-SEE NOTES
Temporary power		X		NA
MDF/IDF WALL PLYWOOD		X		FURNISHED & INSTALLED BY OTHERS
Disposal/Toilet services			X	FURNISHED BY OTHERS
Painting/Patching walls/floors. etc		X		BY OTHERS
Grid support wire		X		NA
fire proofing/Speed sleeves		X		FURNISHED & INSTALLED BY OTHERS
Bid Security Bond		X		
Utility Fees		X		BY OTHERS
Access Doors		X		BY OTHERS
Lifts	X			ELECTRICAL AND SUB-CONTRACTORS OF ONLY

Notes: Rains Electric shall be entitled to an equitable adjustment in the price of the work resulting from changes of schedule acceleration, out of sequence work or delay caused by others. At no time will extra work be performed without a signed written changeorder.

SEE NOTES ON NEXT PAGE

-NOTES-

ROCK EXCAVATION

ROCK EXCAVATION OR BORING IS NOT INCLUDED IN THIS PROPOSAL. PER HOUR, PER FOOT, AND PER CUBIC YARD RATES ARE AVAILABLE PER REQUEST

SPOIL REMOVAL

REMOVAL OR HAULING OF SPOILS IS NOT INCLUDED IN THIS PROPOSAL. SPOILS WILL BE STOCKPILED AT LOCATION TBD AND HAULED BY OTHERS

TEMPORARY POWER

NA

SURVEY & LAYOUT

NA

FIRE ALARM

NA

POLE/SITE LIGHTING

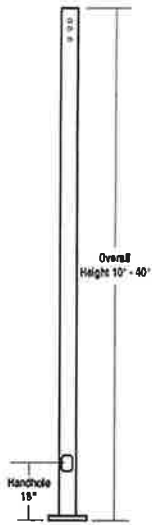
INCLUDES INSTALLATION OF (5) NEW SINGLE HEAD FIXTURES ON 25 FOOT POLES, NEW CONCRETE FOOTINGS, AND UNDERGROUND CIRCUITS EXTENDED FROM EXISTING POST LIGHTS. INCLUDES REMOVAL OF EXISTING POST LIGHTS TO BE TURNED OVER TO HOA.



SSS-B Series Poles

SQUARE STRAIGHT STEEL

DATE: _____ LOCATION: _____
 TYPE: _____ PROJECT: _____
 CATALOG #: _____



APPLICATIONS

- Lighting installations for side and top mounting of luminaires with effective projected area (EPA) not exceeding maximum allowable loading of the specified pole in its installed geographic location

CONSTRUCTION

- SHAFT:** One-piece straight steel with square cross section, flat sides and minimum 0.23" radius on all corners; Minimum yield of 46,000 psi (ASTM-A500, Grade B); Longitudinal weld seam to appear flush with shaft side wall; Steel base plate with axial bolt circle slots welded flush to pole shaft having minimum yield of 36,000 psi (ASTM A36)
- BASE COVER:** Two-piece square aluminum base cover included standard
- POLE CAP:** Pole shaft supplied with removable cover when applicable; Tenon and post-top configurations also available
- HAND HOLE:** Rectangular 3x5 steel hand hole frame (2.38" x 4.38" opening); Mounting provisions for grounding lug located behind gasketed cover
- ANCHOR BOLTS:** Four galvanized anchor bolts provided per pole with minimum yield of 55,000 psi (ASTM F1554). Galvanized hardware with two washers and two nuts per bolt for leveling

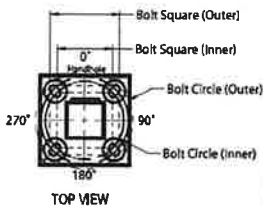
Anchor bolt part numbers: 3/4 x 30 x 3 — TAB-30-M38
 1 x 36 x 4 — TAB-36-M38

FINISH

- Durable thermoset polyester powder coat paint finish with nominal 3.0 mil thickness
- Powder paint prime applied over "white metal" steel substrate cleaned via mechanical shot blast method
- Decorative finish coat available in multiple standard colors; Custom colors available; RAL number preferable

WAREHOUSE 'STOCKED' POLES:

- SSSH20-40A-4-HV-DB-RDC, SSSH25-40A-4-HV-DB-RDC and SSSH30-50B-4-HV-DB-RDC
- The HV designation in the above catalog numbers is a combination drill pattern of the Current S2 pattern and the Beacon B3/B4 Viper pattern (rectangular arm mounting)



POLE CAP	TENON	BASE COVER	BASE DETAIL

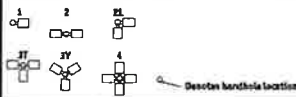
ORDERING INFORMATION

ORDERING EXAMPLE:

Reference page 2 for available configurations

SERIES	HEIGHT	SHAFT	THICKNESS	MOUNTING	FINISH	OPTIONS
SSS-B Square Straight Steel Pole Beacon	Reference page 2 Ordering matrix	Reference page 2 Ordering matrix	Reference page 2 Ordering matrix	1 Single arm mount 2 Two fixtures at 180° 2L Two fixtures at 90° 3T Three fixtures at 90° 4 Four fixtures at 90° TA Tenon (2.38" OD x 4" Tall) TB Tenon (2.88" OD x 4" Tall) TC Tenon (3.5" OD x 6" Tall) TR Removable Tenon (2.375 x 4.25) OT Open Top (Includes pole cap)	BLT Black Matte Textured BLS Black Gloss Smooth DBT Dark Bronze Matte Textured DBS Dark Bronze Gloss Smooth GTT Graphite Matte Textured LGS Light Grey Gloss Smooth PSS Platinum Silver Smooth WHT White Matte Textured WHS White Gloss Smooth VGT Verde Green Textured Color Option CC Custom Color	GFF 20 Amp GFCI Receptacle and Cover EHH Extra Handhole C05 .5" Coupling C07 .75" Coupling C20 2" Coupling MPB Mid-pole Luminaire Bracket VM2 2nd mode vibration damper LAB Less Anchor Bolts UL UL Certified

MOUNTING ORIENTATION



- Removable tenon used in conjunction with side arm mounting. First specify desired arm configuration followed by the "TR" notation. Example: SSS-B-25-40-A-1-B1-TR-BBT
- Specify option location using logic found on page 2 (Option Orientation)
- VM1 recommended on poles 20' and taller with EPA of less than 1.

ACCESSORIES - Order Separately

Catalog Number	Description
VM1	1st mode vibration damper
VM25XX	2nd mode vibration damper

DRILL PATTERN

- B1** Cruiser, "AM" arm
- B3** 2 bolt (2-1/2" spacing), Viper "A" arm
- S2** 2 bolt (3-1/2" spacing), Viper "AD" arm



SSS-B Series Poles

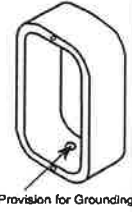

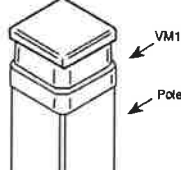


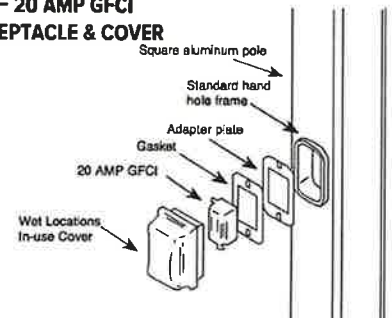
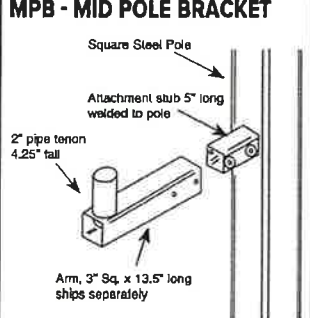
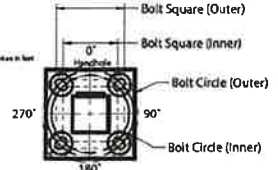
SQUARE STRAIGHT STEEL

DATE: _____ LOCATION: _____
 TYPE: _____ PROJECT: _____
 CATALOG #: _____

ORDERING INFORMATION Cont.

Catalog Number	Height		Nominal Shaft Dimensions	Wall Thick-ness	Bolt Circle (suggested)	Bolt Circle (range)	Bolt Square (range)	Base Plate Square	Anchor bolt size	Bolt Projection	Pole weight
	Feet	Meters									
SSS-B-10-40-A-XX-XX	10	3.0	4" square	0.125"	9"	8" - 10"	5.66" - 7.07"	9"	3/4" x 30" x 3"	3.5	77
SSS-B-12-40-A-XX-XX	12	3.7	4" square	0.125"	9"	8" - 10"	5.66" - 7.07"	9"	3/4" x 30" x 3"	3.5	90
SSS-B-14-40-A-XX-XX	14	4.3	4" square	0.125"	9"	8" - 10"	5.66" - 7.07"	9"	3/4" x 30" x 3"	3.5	103
SSS-B-16-40-A-XX-XX	16	4.9	4" square	0.125"	9"	8" - 10"	5.66" - 7.07"	9"	3/4" x 30" x 3"	3.5	116
SSS-B-18-40-A-XX-XX	18	5.5	4" square	0.125"	9"	8" - 10"	5.66" - 7.07"	9"	3/4" x 30" x 3"	3.5	129
SSS-B-20-40-A-XX-XX	20	6.1	4" square	0.125"	9"	8" - 10"	5.66" - 7.07"	9"	3/4" x 30" x 3"	3.5	142
SSS-B-25-40-A-XX-XX	25	7.6	4" square	0.125"	9"	8" - 10"	5.66" - 7.07"	9"	3/4" x 30" x 3"	3.5	175
SSS-B-14-40-B-XX-XX	14	4.3	4" square	.188"	11"	10" - 12"	7.07" - 8.48"	10.50"	3/4" x 30" x 3"	3.5	152
SSS-B-16-40-B-XX-XX	16	4.9	4" square	.188"	11"	10" - 12"	7.07" - 8.48"	10.50"	3/4" x 30" x 3"	3.5	171
SSS-B-18-40-B-XX-XX	18	5.5	4" square	.188"	11"	10" - 12"	7.07" - 8.48"	10.50"	3/4" x 30" x 3"	3.5	190
SSS-B-20-40-B-XX-XX	20	6.1	4" square	.188"	11"	10" - 12"	7.07" - 8.48"	10.50"	3/4" x 30" x 3"	3.5	209
SSS-B-25-40-B-XX-XX	25	7.6	4" square	.188"	11"	10" - 12"	7.07" - 8.48"	10.50"	3/4" x 30" x 3"	3.5	257
SSS-B-30-40-B-XX-XX	30	9.1	4" square	.188"	11"	10" - 12"	7.07" - 8.48"	10.50"	3/4" x 30" x 3"	3.5	304
SSS-B-16-50-B-XX-XX	16	4.9	5" square	.188"	11"	10.25" - 13.25"	7.25" - 9.37"	11.50"	1" x 36" x 4"	4.5	219
SSS-B-18-50-B-XX-XX	18	5.5	5" square	.188"	11"	10.25" - 13.25"	7.25" - 9.37"	11.50"	1" x 36" x 4"	4.5	243
SSS-B-20-50-B-XX-XX	20	6.1	5" square	.188"	11"	10.25" - 13.25"	7.25" - 9.37"	11.50"	1" x 36" x 4"	4.5	267
SSS-B-25-50-B-XX-XX	25	7.6	5" square	.188"	11"	10.25" - 13.25"	7.25" - 9.37"	11.50"	1" x 36" x 4"	4.5	327
SSS-B-30-50-B-XX-XX	30	9.1	5" square	.188"	11"	10.25" - 13.25"	7.25" - 9.37"	11.50"	1" x 36" x 4"	4.5	387
SSS-B-25-50-C-XX-XX	25	7.6	5" square	.25"	11"	10.25" - 13.25"	7.25" - 9.37"	11.50"	1" x 36" x 4"	4.5	427
SSS-B-30-50-C-XX-XX	30	9.1	5" square	.25"	11"	10.25" - 13.25"	7.25" - 9.37"	11.50"	1" x 36" x 4"	4.5	507
SSS-B-20-60-B-XX-XX	20	6.1	6" square	.188"	12"	11.00" - 13.25"	7.81" - 9.37"	12.25"	1" x 36" x 6"	4.5	329
SSS-B-25-60-B-XX-XX	25	7.6	6" square	.188"	12"	11.00" - 13.25"	7.81" - 9.37"	12.25"	1" x 36" x 6"	4.5	404
SSS-B-30-60-B-XX-XX	30	9.1	6" square	.188"	12"	11.00" - 13.25"	7.81" - 9.37"	12.25"	1" x 36" x 6"	4.5	479
SSS-B-35-60-B-XX-XX	35	10.7	6" square	.188"	12"	11.00" - 13.25"	7.81" - 9.37"	12.25"	1" x 36" x 6"	4.5	554
SSS-B-40-60-B-XX-XX	40	12.2	6" square	.188"	12"	11.00" - 13.25"	7.81" - 9.37"	12.25"	1" x 36" x 6"	4.5	629

NOTE: Factory supplied template must be used when setting anchor bolts. Beacon Products will deny any claim for incorrect anchorage placement resulting from failure to use factory supplied template and anchor bolts.

<p>EHH - EXTRA HANDHOLE</p>  <p>Provision for Grounding</p>	<p>C05 - C07 - C20 - COUPLING</p>  <p>2" - 11.5 NPSG Threads 3/4" - 14 NPSG Threads 1/2" - 14 NPSG Threads</p>	<p>VM1 - VIBRATION DAMPER 1ST MODE</p>  <p>Field Installed Pole Top damper designed to reduce pole top deflection or sway. VM1 is recommended for pole systems 25' and taller with a total EPA of 1.0 or less.</p>	<p>VM2 - VIBRATION DAMPER 2ND MODE</p>  <p>Factory Installed, Internal damper designed to alter pole resonance to reduce movement and material fatigue caused by 2nd mode vibration.</p>	<p>VM2SXX - VIBRATION DAMPER 2ND MODE</p>  <p>Field Installed, internal damper designed to alter pole resonance to reduce movement and material fatigue caused by 2nd mode vibration.</p> <p>VM2S08 - 8' VM2S12 - 12' VM2S16 - 16' VM2S20 - 20' VM2S24 - 24'</p>
<p>GFI - 20 AMP GFCI RECEPTACLE & COVER</p>  <p>Square aluminum pole Standard hand hole frame Adapter plate Gasket 20 AMP GFCI Wet Locations In-use Cover</p>	<p>MPB - MID POLE BRACKET</p>  <p>Square Steel Pole Attachment stub 5" long welded to pole 2" pipe tenon 4.25" tall Arm, 3" Sq. x 13.5" long ships separately</p>	<p>OPTION ORIENTATION</p> <p>Follow the logic below when ordering location specific options. For each option, include its orientation (in degrees) and its height (in feet). Example: Option C07 should be ordered as: SSS-B-20-40-A-TA-DB-C05-0-15 (5" coupling on the handhole/arm side of pole, 15 feet up from the pole base) 1' spacing required between option. Consult factory for other configurations.</p>  <p>Bolt Square (Outer) Bolt Square (Inner) Bolt Circle (Outer) Bolt Circle (Inner)</p> <p>270° 180°</p>		

For more information about pole vibration and vibration dampers, please consult our website. Due to our continued efforts to improve our products, product specifications are subject to change without notice.



SSS-B Series Poles

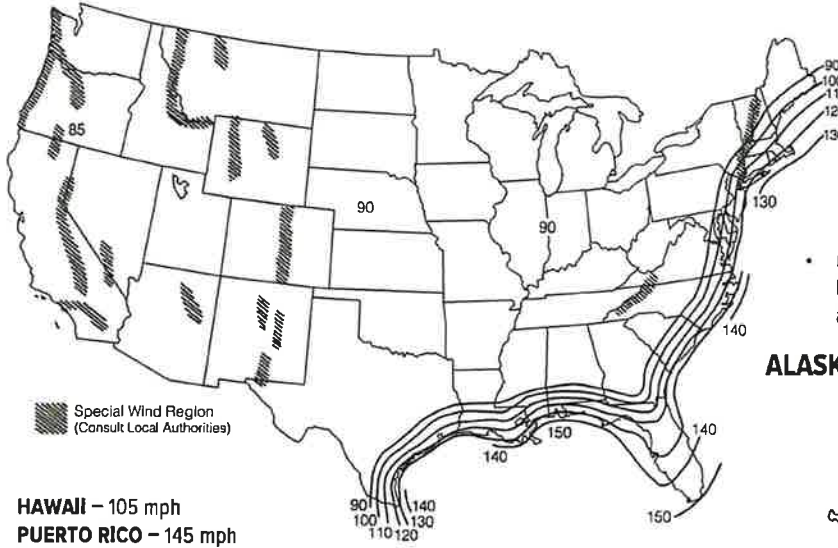
SQUARE STRAIGHT STEEL

DATE: _____ LOCATION: _____

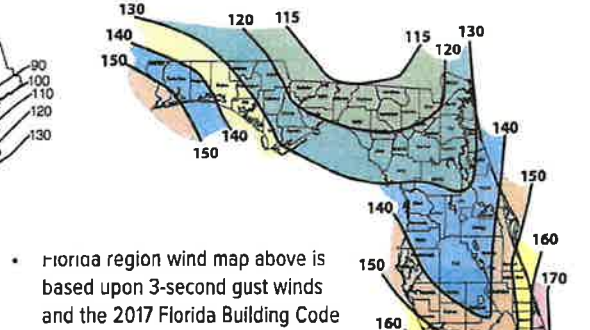
TYPE: _____ PROJECT: _____

CATALOG #: _____

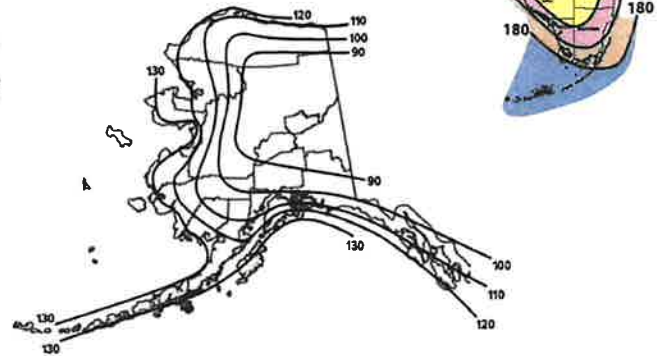
ASCE7-05 WIND MAP



FLORIDA REGION WIND MAP



ALASKA REGION WIND MAP



ASCE 7-05 wind map EPA Load Rating - 3 second gust wind speeds (Use for all locations except Florida)										
Catalog Number	85	90	100	105	110	120	130	140	145	150
SSS-B-10-40-A	25.0	25.0	25.0	22.8	20.6	17.0	14.2	11.9	11.0	10.1
SSS-B-12-40-A	25.0	25.0	20.0	18.0	16.1	13.2	10.8	8.9	8.1	7.4
SSS-B-14-40-A	23.1	20.4	16.1	14.3	12.8	10.2	8.2	6.6	5.9	5.3
SSS-B-16-40-A	19.0	16.7	13.0	11.5	10.1	7.9	6.2	4.7	4.1	3.6
SSS-B-18-40-A	15.6	13.6	10.0	9.0	7.8	5.9	4.4	3.1	2.6	2.1
SSS-B-20-40-A	12.7	10.9	7.9	6.9	5.9	4.2	2.8	1.7	1.3	0.9
SSS-B-25-40-A	7.3	5.9	3.8	2.9	2.1	0.8	NR	NR	NR	NR
SSS-B-14-40-B	25.0	25.0	23.3	20.8	18.6	15.1	12.3	10.2	9.2	8.4
SSS-B-16-40-B	25.0	24.9	19.4	17.3	15.4	12.3	9.9	8.0	7.2	6.4
SSS-B-18-40-B	24.0	20.8	16.1	14.2	12.5	9.8	7.7	6.1	5.3	4.7
SSS-B-20-40-B	20.2	17.5	13.2	11.6	10.1	7.7	5.9	4.4	3.8	3.2
SSS-B-25-40-B	12.8	11.0	7.9	6.7	5.5	3.7	2.3	1.2	0.7	NR
SSS-B-30-40-B	8.0	6.6	4.1	3.1	2.2	0.8	NR	NR	NR	NR
SSS-B-16-50-B	25.0	25.0	25.0	25.0	24.8	20.1	16.5	13.6	12.3	11.2
SSS-B-18-50-B	25.0	25.0	25.0	22.9	20.4	16.4	13.2	10.7	9.6	8.6
SSS-B-20-50-B	25.0	25.0	21.3	18.9	16.7	13.2	10.4	8.1	7.2	6.3
SSS-B-25-50-B	20.7	17.8	13.3	11.5	9.8	7.2	5.0	3.3	2.6	1.9
SSS-B-30-50-B	13.5	11.3	7.7	6.2	4.9	2.8	1.1	NR	NR	NR
SSS-B-25-50-C	25.0	25.0	19.4	17.1	15.1	11.7	9.0	6.9	6.0	5.1
SSS-B-30-50-C	20.1	17.3	12.7	10.9	9.3	6.6	4.5	2.8	2.1	1.4
SSS-B-20-60-B	25.0	25.0	25.0	25.0	25.0	20.2	16.1	12.9	11.5	10.3
SSS-B-25-60-B	25.0	25.0	20.6	18.0	15.6	11.8	8.7	6.2	5.2	4.2
SSS-B-30-60-B	21.4	18.1	12.9	10.7	8.8	5.7	3.3	1.3	NR	NR
SSS-B-35-60-B	14.0	11.3	6.9	5.2	3.6	1.0	NR	NR	NR	NR
SSS-B-40-60-B	8.1	5.8	2.2	nr	NR	NR	NR	NR	NR	NR

Florida Building Code 2017 EPA Load Rating - 3 second gust wind speeds (Use for Florida only)								
Catalog Number	115	120	130	140	150	160	170	180
SSS-B-10-40-A	25.0	25.0	25.0	25.0	21.4	18.4	15.9	13.9
SSS-B-12-40-A	25.0	25.0	23.6	19.8	16.7	14.2	12.1	10.4
SSS-B-14-40-A	25.0	23.1	19.0	15.7	13.1	10.9	9.1	7.6
SSS-B-16-40-A	20.8	18.7	15.2	12.3	10.1	8.2	6.7	5.4
SSS-B-18-40-A	16.8	15.0	11.9	9.4	7.5	5.9	4.5	3.4
SSS-B-20-40-A	13.6	11.9	9.2	7.1	5.3	3.9	2.7	1.7
SSS-B-25-40-A	7.4	6.2	4.1	2.5	1.1	NR	NR	NR
SSS-B-14-40-B	25.0	23.6	19.4	16.1	13.4	11.2	9.4	7.8
SSS-B-16-40-B	21.4	19.2	15.6	12.7	10.4	8.5	6.9	5.6
SSS-B-18-40-B	17.2	15.4	12.2	9.7	7.7	6.1	4.7	3.6
SSS-B-20-40-B	13.9	12.3	9.5	7.3	5.5	4.1	2.9	1.9
SSS-B-25-40-B	7.7	6.4	4.3	2.6	1.3	NR	NR	NR
SSS-B-30-40-B	3.2	2.1	NR	NR	NR	NR	NR	NR
SSS-B-16-50-B	25.0	25.0	25.0	25.0	25.0	21.4	18.2	15.5
SSS-B-18-50-B	25.0	25.0	25.0	24.4	20.4	17.0	14.2	11.9
SSS-B-20-50-B	25.0	25.0	24.4	19.9	16.3	13.4	11.0	8.9
SSS-B-25-50-B	21.8	19.3	15.0	11.5	8.8	6.5	4.7	3.1
SSS-B-30-50-B	13.7	11.7	8.2	5.5	3.3	1.5	NR	NR
SSS-B-25-50-C	21.8	19.3	15.0	11.5	8.8	6.5	4.7	3.1
SSS-B-30-50-C	13.7	11.7	8.2	5.5	3.3	1.5	NR	NR
SSS-B-20-60-B	25.0	25.0	25.0	21.9	17.8	14.5	11.7	9.4
SSS-B-25-60-B	23.8	20.9	16.1	12.3	9.2	6.6	4.5	2.8
SSS-B-30-60-B	14.6	12.3	8.4	5.3	2.8	0.8	NR	NR
SSS-B-35-60-B	7.5	5.6	2.4	NR	NR	NR	NR	NR
SSS-B-40-60-B	1.8	NR	NR	NR	NR	NR	NR	NR



SSS-B Series Poles

SQUARE STRAIGHT STEEL

DATE:	LOCATION:
TYPE:	PROJECT:
CATALOG #:	

NOTES

Wind-speed Website disclaimer:

Current has no connection to the linked website and makes no representations as to its accuracy. While the information presented on this third-party website provides a useful starting point for analyzing wind conditions, Current has not verified any of the information on this third party website and assumes no responsibility or liability for its accuracy. The material presented in the windspeed website should not be used or relied upon for any specific application without competent examination and verification of its accuracy, suitability and applicability by engineers or other licensed professionals. Current does not intend that the use of this information replace the sound judgment of such competent professionals, having experience and knowledge in the field of practice, nor to substitute for the standard of care required of such professionals in interpreting and applying the results of the windspeed report provided by this website. Users of the information from this third party website assume all liability arising from such use. Use of the output of these referenced websites do not imply approval by the governing building code bodies responsible for building code approval and interpretation for the building site described by latitude/longitude location in the windspeed report. <http://windspeed.atcouncil.org>

NOTES

- Allowable EPA, to determine max pole loading weight, multiply allowable EPA by 30 lbs.
- The tables for allowable pole EPA are based on the ASCE 7-05 Wind Map or the Florida Region Wind Map for the 2010 Florida Building Code. The Wind Maps are intended only as a general guide and cannot be used in conjunction with other maps. Always consult local authorities to determine maximum wind velocities, gusting and unique wind conditions for each specific application
- Allowable pole EPA for jobsite wind conditions must be equal to or greater than the total EPA for fixtures, arms, and accessories to be assembled to the pole. Responsibility lies with the specifier for correct pole selection. Installation of poles without luminaires or attachment of any unauthorized accessories to poles is discouraged and shall void the manufacturer's warranty
- Wind speeds and listed EPAs are for ground mounted installations. Poles mounted on structures (such as bridges and buildings) must consider vibration and coefficient of height factors beyond this general guide; Consult local and federal standards
- Wind Induced Vibration brought on by steady, unidirectional winds and other unpredictable aerodynamic forces are not included in wind velocity ratings.
- Extreme Wind Events like, Hurricanes, Typhoons, Cyclones, or Tornadoes may expose poles to flying debris, wind shear or other detrimental effects not included in wind velocity ratings

Due to our continued efforts to improve our products, product specifications are subject to change without notice.



VIPER Area/Site

VIPER LUMINAIRE

DATE:	LOCATION:
TYPE:	PROJECT:
CATALOG #:	

MICROSTRIKE | STRIKE OPTICS



FEATURES

- Low profile LED area/site luminaire with a variety of IES distributions for lighting applications such as auto dealership, retail, commercial, and campus parking lots
- Featuring two different optical technologies, Strike and Micro Strike Optics, which provide the best distribution patterns for retrofit or new construction
- Rated for high vibration applications including bridges and overpasses. All sizes are rated for 1.5G
- Control options including photo control, occupancy sensing, NX Lighting Controls™, wiSCAPE and 7-Pin with networked controls
- New customizable lumen output feature allows for the wattage and lumen output to be customized in the factory to meet whatever specification requirements may entail
- Field interchangeable mounting provides additional flexibility after the fixture has shipped



CONTROL TECHNOLOGY



SPECIFICATIONS

CONSTRUCTION

- Die-cast housing with hidden vertical heat fins are optimal for heat dissipation while keeping a clean smooth outer surface
- Corrosion resistant, die-cast aluminum housing with 1000 hour powder coat paint finish
- External hardware is corrosion resistant

OPTICS

- Micro Strike Optics (160, 320, 480, or 720 LED counts) maximize uniformity in applications and come standard with mid-power LEDs which evenly illuminate the entire luminous surface area to provide a low glare appearance. Catalog logic found on page 2
- Strike Optics (36, 72, 108, or 162 LED counts) provide best in class distributions and maximum pole spacing in new applications with high powered LEDs. Strike optics are held in place with a polycarbonate bezel to mimic the appearance of the Micro Strike Optics so both solutions can be combined on the same application. Catalog logic found on page 3
- Both optics maximize target zone illumination with minimal losses at the house-side, reducing light trespass issues. Additional backlight control shields and house side shields can be added for further reduction of illumination behind the pole
- One-piece silicone gasket ensures a weatherproof seal
- Zero up-light at 0 degrees of tilt
- Field rotatable optics

INSTALLATION

- Mounting patterns for each arm can be found on page 11
- Optional universal mounting block for ease of installation during retrofit applications. Available as an option (ASQU) or accessory for square and round poles
- All mounting hardware included

INSTALLATION (CONTINUED)

- Knuckle arm fitter option available for 2-3/8" OD tenon
- For products with EPA less than 1 mounted to a pole greater than 20ft, a vibration damper is recommended

ELECTRICAL

- Universal 120-277 VAC or 347-480 VAC input voltage, 50/60 Hz
- Ambient operating temperature -40°C to 40°C
- Drivers have greater than 90% power factor and less than 20% THD
- LED drivers have output power over-voltage, over-current protection and short circuit protection with auto recovery
- Field replaceable surge protection device provides 20kA protection meeting ANSI/IEEE C62.41.2 Category C High and Surge Location Category C3; Automatically takes fixture off-line for protection when device is compromised
- Dual Driver option provides 2 drivers within luminaire but only one set of leads exiting the luminaire, where Dual Power Feed provides two drivers which can be wired independently as two sets of leads are extended from the luminaire. Both options cannot be combined

CONTROLS

- Photo control, occupancy sensor programmable controls, and Zigbee wireless controls available for complete on/off and dimming control
- Please consult brand or sales representative when combining control and electrical options as some combinations may not operate as anticipated depending on your application
- 7-pin ANSI C136.41-2013 photocontrol receptacle option available for twist lock photocontrols or wireless control modules (control accessories sold separately)

CONTROLS (CONTINUED)

- 0-10V Dimming Drivers are standard and dimming leads are extended out of the luminaire unless control options require connection to the dimming leads. Must specify if wiring leads are to be greater than the 6" standard
- NX Lighting Controls™ available with in fixture wireless control module, features dimming and occupancy sensor
- wiSCAPE® available with in fixture wireless control module, features dimming and occupancy sensor. Also available in 7-pin configuration

CERTIFICATIONS

- DLC® (DesignLights Consortium Qualified), with both Premium and Standard Qualified configurations. Please refer to the DLC website for specific product qualifications at <http://www.designlights.org>
- Listed to UL1598 and CSA C22.2#250.0-24 for wet locations and 40°C ambient temperatures
- 1.5 G rated for ANSI C136.31 high vibration applications
- Fixture is IP65 rated
- Meets IDA recommendations using 3K CCT configuration at 0 degrees of tilt
- This product qualifies as a "designated country construction material" per FAR 52.225-11 Buy American-Construction Materials under Trade Agreements effective 04/23/2020.

WARRANTY

- 5 year warranty

KEY DATA	
Lumen Range	5,000–80,000
Wattage Range	36–600
Efficacy Range (LPW)	92–155
Weight lbs. (kg)	13.7-30.9 (6.2-13.9)



DATE: _____ LOCATION: _____

TYPE: _____ PROJECT: _____

CATALOG #: _____

VIPER Area/Site

VIPER LUMINAIRE

MICROSTRIKE OPTICS - ORDERING GUIDE

Example: VP-2-320L-145-3K7-2-R-UNV-A3-BLT

CATALOG #

VP Series	Optic Platform	Size	Light Engine	CCT/CRI	Distribution	Optic Rotation	Voltage				
VP Viper	Micro Strike	1 Size 1	160L-35 ⁶ 5500 lumens	AP AP-Amber Phosphor Converted	2 Type 2	BLANK No Rotation	UNV 120-277V				
			160L-50 ⁶ 7500 lumens								
			160L-75 10000 lumens								
			160L-100 12500 lumens								
			160L-115 15000 lumens								
		2 Size 2	160L-135 18000 lumens					3 Type 3	L Optic rotation left		
			160L-160 21000 lumens								
			320L-145 21000 lumens								
			320L-170 24000 lumens								
			320L-185 27000 lumens								
		3 Size 3	320L-210 30000 lumens							4F Type 4 Forward	R Optic rotation right
			320L-235 33000 lumens								
			320L-255 36000 lumens								
			320L-315 ⁶ 40000 lumens								
			480L-285 40000 lumens								
		4 Size 4	480L-320 44000 lumens								
480L-340 48000 lumens											
480L-390 52000 lumens											
480L-425 55000 lumens											
480L-470 60000 lumens											
720L-435 60000 lumens	5K8 3000K, 80 CRI										
720L-475 65000 lumens											
720L-515 70000 lumens											
720L-565 ⁶ 75000 lumens											
720L-600 ⁶ 80000 lumens											
CLO Custom Lumen Output ¹		5K9 3000K, 90 CRI									
		4K7 4000K, 70 CRI									
		4K8 4000K, 80 CRI									
		4K9 4000K, 90 CRI									
		5K7 5000K, 70 CRI									
		5K8 5000K, 80 CRI									

Mounting	
A	Arm mount for square pole/flat surface (B3 Drill Pattern) (Does not include round pole adapter)
A _L	Arm mount for round pole ²
ASQU	Universal arm mount for square pole. Can be used with B3 or S2 Drill Pattern
A _U	Universal arm mount for round pole ²
AAU	Adjustable arm for pole mounting (universal drill pattern)
AA _U	Adjustable arm mount for round pole ²
ADU	Decorative upswept Arm (universal drill pattern)
AD _U	Decorative upswept arm mount for round pole ²
MAF	Mast arm fitter for 2-3/8" OD horizontal arm
K	Knuckle
T	Trunnion
WB	Wall Bracket, horizontal tenon with MAF
WM	Wall mount bracket with decorative upswept arm
WA	Wall mount bracket with adjustable arm

Color	
BLT	Black Matte Textured
BLS	Black Gloss Smooth
DBT	Dark Bronze Matte Textured
DBS	Dark Bronze Gloss Smooth
GTT	Graphite Matte Textured
LGS	Light Grey Gloss Smooth
LGT	Light Grey Gloss Textured
PSS	Platinum Silver Smooth
WHT	White Matte Textured
WHS	White Gloss Smooth
VGT	Verde Green Textured
Color Option	
CC	Custom Color

Options	
F	Fusing
2PF	Dual Power Feed
2DR	Dual Driver
TE	Toolless Entry
BC	Backlight Control ⁶
TB	Terminal Block

Network Control Options	
NXWS16F	NX Networked Wireless Enabled Integral NXSM2-LMO PIR Occupancy Sensor with Automatic Dimming Photocell and Bluetooth Programming ^{3,4}
NXWS40F	NX Networked Wireless Enabled Integral NXSM2-HMO PIR Occupancy Sensor with Automatic Dimming Photocell and Bluetooth Programming ^{3,4}
NXW	NX Networked Wireless Radio Module NXRM2 and Bluetooth Programming, without Sensor ^{3,4}
WIR	wISCAPE [®] In-Fixture Module ^{3,4}
WIRSC	wISCAPE [®] Module and Occupancy Sensor ^{3,4}
Stand Alone Sensors	
BTS-14F	Bluetooth [®] Programmable, BTSMP-LMO PIR Occupancy Sensor with Automatic Dimming Photocell and 360° Lens
BTS-40F	Bluetooth [®] Programmable, BTSMP-HMO PIR Occupancy Sensor with Automatic Dimming Photocell and 360° Lens
BTSO-12F	Bluetooth [®] Programmable, BTSMP-OMNI-O PIR Occupancy Sensor with Automatic Dimming Photocell and 360° Lens
7PR	7-Pin Receptacle ⁴
7PR-SC	7-Pin Receptacle with shorting cap ⁴
3PR	3-Pin twist lock ⁴
3PR-SC	3-Pin receptacle with shorting cap ⁴
3PR-TL	3-Pin PCR with photocontrol ⁴
Programmed Controls	
ADD	AutoDim Timer Based Dimming ⁴
ADT	AutoDim Time of Day Dimming ⁴
Photocontrols	
PC	Button Photocontrol ^{4,7}

1 - Items with a grey background can be done as a custom order. Contact brand representative for more information
 2 - Replace "L" with "2" for 2.5"-3.4" OD pole, "3" for 3.5"-4.13" OD pole, "4" for 4.18"-5.25" OD pole, "5" for 5.5"-6.5" OD pole
 3 - Networked Controls cannot be combined with other control options
 4 - Not available with 2PF option
 5 - Not available with Dual Driver option

6 - Some voltage restrictions may apply when combined with controls
 7 - Not available with 480V
 8 - BC not available on 4F and type 5 distributions



DATE: _____ LOCATION: _____

TYPE: _____ PROJECT: _____

CATALOG #: _____

VIPER Area/Site

VIPER LUMINAIRE

STRIKE OPTIC – ORDERING GUIDE

Example: VP-ST-1-36L-39-3K7-2-UNV-A-BLT

CATALOG # _____

VP	Optic Platform	Size	Light Engine	CCT/CRI	Distribution	Optic Rotation	Voltage
VP Viper	ST Strike	1 Size 1	36L-39 ¹ 5500 lumens 36L-55 ¹ 7500 lumens 36L-85 10000 lumens 36L-105 12500 lumens 36L-120 14000 lumens	AM monochromatic amber, 595nm 27K8 2700K, 80 CRI 3K7 3000K, 70 CRI 3K8 3000K, 80 CRI 3K9 3000K, 90 CRI 35K8 3500K, 80 CRI 4K7 4000K, 70 CRI 4K8 4000K, 80 CRI 4K9 4000K, 90 CRI 5K7 5000K, 70 CRI 5K8 5000K, 80 CRI	FR Auto Front Row 2 Type 2 3 Type 3 4F Type 4 Forward 4W Type 4 Wide 5QN Type 5 Square Narrow 5OW Type 5 Square Wide 5QM Type 5 Square Medium 5W Type 5 Wide (Round) 5RW Type 5 Rectangular C Corner Optic TC Tennis Court Optic	BLANK No Rotation L Optic rotation left R Optic rotation right	UNV 120-277V 120 120V 208 208V 240 240V 277 277V 347 347V 480 480V
		2 Size 2	72L-115 15000 lumens 72L-145 18000 lumens 72L-180 21000 lumens 72L-210 24000 lumens 72L-240 27000 lumens				
		3 Size 3	108L-215 ¹ 27000 lumens 108L-250 30000 lumens 108L-280 33000 lumens 108L-325 36000 lumens 108L-365 40000 lumens				
		4 Size 4	162L-320 40000 lumens 162L-365 ¹ 44000 lumens 162L-405 48000 lumens 162L-445 52000 lumens 162L-485 56000 lumens 162L-545 ¹ 60000 lumens CLO Custom Lumen Output ¹				

Mounting	
A	Arm mount for square pole/flat surface
A	Arm mount for round pole ³
ASQU	Universal arm mount for square pole
A_U	Universal arm mount for round pole ³
AAU	Adjustable arm for pole mounting (universal drill pattern)
AA_U	Adjustable arm mount for round pole ³
ADU	Decorative upswept Arm (universal drill pattern)
AD_U	Decorative upswept arm mount for round pole ³
MAF	Mast arm fitter for 2-3/8" OD horizontal arm
K	Knuckle
T	Trunnion
WB	Wall Bracket, horizontal tenon with MAF
WM	Wall mount bracket with decorative upswept arm
WA	Wall mount bracket with adjustable arm

Color	
BLT	Black Matte Textured
BLS	Black Gloss Smooth
DBT	Dark Bronze Matte Textured
DBS	Dark Bronze Gloss Smooth
GTT	Graphite Matte Textured
LGS	Light Grey Gloss Smooth
LGT	Light Grey Gloss Textured
PSS	Platinum Silver Smooth
WHT	White Matte Textured
WHS	White Gloss Smooth
VGT	Verde Green Textured
Color Option	
CC	Custom Color

Options	
F	Fusing
E	Battery Backup ^{1,2,3,4,5}
2PF	Dual Power Feed
2DR	Dual Driver
TE	Toolless Entry
BC	Backlight Control
TB	Terminal Block

Network Control Options	
NXWS16F	NX Networked Wireless Enabled Integral NXSM2-LMO PIR Occupancy Sensor with Automatic Dimming Photocell and Bluetooth Programming ^{1,3,4}
NXWS40F	NX Networked Wireless Enabled Integral NXSM2-HMO PIR Occupancy Sensor with Automatic Dimming Photocell and Bluetooth Programming ^{1,3,4}
NXW	NX Networked Wireless Radio Module NXRM2 and Bluetooth Programming, without Sensor ^{3,4}
WIR	wiSCAPE® In-Fixture Module ^{3,4}
WIRSC	wiSCAPE® Module and Occupancy Sensor ^{3,4}

Stand Alone Sensors	
BTS-14F	Bluetooth® Programmable, BTSMP-LMO PIR Occupancy Sensor with Automatic Dimming Photocell and 360° Lens
BTS-40F	Bluetooth® Programmable, BTSMP-HMO PIR Occupancy Sensor with Automatic Dimming® Photocell and 360° Lens
BTSO-12F	Bluetooth® Programmable, BTSMP-OMNI-O PIR Occupancy Sensor with Automatic Dimming Photocell and 360° Lens
7PR	7-Pin Receptacle ⁴
7PR-SC	7-Pin Receptacle with shunting cap ⁴
3PR	3-Pin twist lock ⁴
3PR-SC	3-Pin receptacle with shunting cap ⁴
3PR-TL	3-Pin PCR with photocontrol ⁴

Programmed Controls	
ADD	AutoDim Timer Based Dimming ⁴
ADT	AutoDim Time of Day Dimming ⁴

Photocontrols	
PC	Button Photocontrol ^{4,7}

1 – Items with a grey background can be done as a custom order. Contact brand representative for more information

2 – Battery temperature rating -20C to 55C

3 – Replace “_” with “3” for 3.5”-4.13” OD pole, “4” for 4.18”-5.25” OD pole, “5” for 5.5”-6.5” OD pole

4 – Networked Controls cannot be combined with other control options

5 – Not available with 2PF option

6 – Not available with 480V

7 – Not available with 347 or 480V

8 – Not available with Dual Driver option

9 – Only available in Size 1 housing, up to 105 Watts

10 – Some voltage restrictions may apply when combined with controls



VIPER Area/Site

VIPER LUMINAIRE

DATE: _____ LOCATION: _____

TYPE: _____ PROJECT: _____

CATALOG #: _____

ORDERING GUIDE (CONTINUED)

CATALOG # _____

Accessory Type	Size	Option	Color
SHD Shield	1 Size 1	HSS-90-B House Side Shield 90° Back	BLS Black Gloss Smooth
	2 Size 2	HSS-90-F House Side Shield 90° Front	BLT Black Matte Textured
	3 Size 3	HSS-90-S House Side Shield 90° Side	DBS Dark Bronze Gloss Smooth
	4 Size 4	HSS-270-BSS House Side Shield 270° Back/Side/Side	DBT Dark Bronze Matte Textured
MTG Mounting		HSS-270-FSS House Side Shield 270° Front/Side/Side	GTT Graphite Matte Textured
		HSS-270-FSB House Side Shield 270° Front/Side/Back	LGS Light Gray Gloss Smooth
		HSS-360 House Side Shield 360°	PSS Platinum Silver Smooth
		BC Back Light Control	WHS White Gloss Smooth
		A Arm Mount for square pole/flat surface	WHT White Matte Textured
		ASQU Universal Arm Mount for square pole	VGT Green Landscape Decorative
		AAU Adjustable Arm for pole mounting	LEG Legacy Colors
		ADU Decorative upswept Arm	Color Option
		RPA Round Pole Adapter	CC Custom Color
		MAF Mast Arm Fitter for 2-3/8" OD horizontal arm	
	K Knuckle		
	T Trunion		
	WB Wall Bracket (compatible with universal arm mounts)		
Accessory Type		Option	
MSC Miscellaneous		BIRD SPK Bird Spike	

Current Control Solutions — Accessories (Sold Separately)

NX Lighting Controls

NXOFM-1R1D-UNV On-fixture Module (7-pin), On / Off / Dim, Daylight Sensor with NX Radio and Bluetooth® Radio, 120–480VAC

wiSCAPE® Lighting Control

WIR-RME-L On-fixture Module (7-pin or 5-pin), On / Off / Dim, Daylight Sensor with wiSCAPE Radio, 110–480VAC

SCP-REMOTE Remote Control for SCP/_F option. Order at least one per project to program and control the occupancy sensor

For additional information related to these accessories please visit currentlighting.com/beacon. Options provided for use with integrated sensor, please view specification sheet ordering information table for details.

CONTROLS



Control Option	Sensor	Networkable	Scheduling	Occupancy	Daylight Harvesting	On/Off Control	Programming	Pair with Sensor	Sensor Mounting Height
NXW	-	✓	✓	-	-	✓	✓	-	-
NXWS_F	NXSMI²	✓	✓	✓	✓	✓	✓	-	16ft, 40ft
BTSO12F	BTSM²-OMNI-O	-	-	✓	✓	✓	Bluetooth	-	12ft
BTS_F	BTSM²	-	-	✓	✓	✓	Bluetooth	-	14ft, 40ft
ADD	-	-	✓	-	-	✓	-	✓	-
ADT	-	-	✓	-	-	✓	-	✓	-
7PR	-	Paired with external control	Paired with external control	-	Paired with external control	Paired with external control	-	✓	-
7PR-SC	-	-	-	-	-	-	-	✓	-
3PR	-	-	-	-	-	Paired with external control	-	✓	-
3PR-SC	-	-	-	-	-	-	-	✓	-
3PR-TL	-	-	-	-	✓	✓	-	✓	-
WIR	-	✓	✓	-	✓	✓	Gateway	-	-
WIRSC	BTSM²	✓	✓	✓	✓	✓	Gateway	-	14ft, 40ft



VIPER Area/Site

VIPER LUMINAIRE

DATE: _____ LOCATION: _____

TYPE: _____ PROJECT: _____

CATALOG #: _____

DELIVERED LUMENS

For delivered lumens, please see Lumens Data PDF on www.Currentlighting.com

PROJECTED LUMEN MAINTENANCE

Ambient Temp.	0	25,000	*TM-21-11 36,000	50,000	100,000	Calculated L ₇₀ (Hours)
25°C / 77°F	1.00	0.97	0.96	0.95	0.91	408,000
40°C / 104°F	0.99	0.96	0.95	0.94	0.89	356,000

LUMINAIRE AMBIENT TEMPERATURE FACTOR (LATF)

Ambient Temperature		Lumen Multiplier
0°C	32°F	1.03
10°C	50°F	1.01
20°C	68°F	1.00
25°C	77°F	1.00
30°C	86°F	0.99
40°C	104°F	0.98

Micro Strike Lumen Multiplier			
CCT	70 CRI	80 CRI	90 CRI
2700K	–	0.841	–
3000K	0.977	0.861	0.647
3500K	–	0.900	–
4000K	1	0.926	0.699
5000K	1	0.937	0.791
Monochromatic Amber Multiplier			
Amber	0.250		

Strike Lumen Multiplier			
CCT	70 CRI	80 CRI	90 CRI
2700K	0.9	0.81	0.62
3000K	0.933	0.853	0.659
3500K	0.959	0.894	0.711
4000K	1	0.9	0.732
5000K	1	0.9	0.732
Monochromatic Amber Multiplier			
Amber	0.255		



DATE: _____ LOCATION: _____
 TYPE: _____ PROJECT: _____
 CATALOG #: _____

VIPER Area/Site

VIPER LUMINAIRE

ELECTRICAL DATA: MICRO STRIKE

# OF LEDS	160						
NOMINAL WATTAGE	35	50	75	100	115	135	160
SYSTEM POWER (W)	34.9	50.5	72.1	97.2	111.9	132.2	157.8
INPUT VOLTAGE (V)	CURRENT (Amps)						
120	0.29	0.42	0.63	0.83	0.96	1.13	1.33
208	0.17	0.24	0.36	0.48	0.55	0.65	0.77
240	0.15	0.21	0.31	0.42	0.48	0.56	0.67
277	0.13	0.18	0.27	0.36	0.42	0.49	0.58
347	0.10	0.14	0.22	0.29	0.33	0.39	0.46
480	0.07	0.10	0.16	0.21	0.24	0.28	0.33

# OF LEDS	320						
NOMINAL WATTAGE	145	170	185	210	235	255	315
SYSTEM POWER (W)	150	166.8	185.7	216.2	240.9	261.5	312
INPUT VOLTAGE (V)	CURRENT (Amps)						
120	1.21	1.42	1.54	1.75	1.96	2.13	2.63
208	0.70	0.82	0.89	1.01	1.13	1.23	1.51
240	0.60	0.71	0.77	0.88	0.98	1.06	1.31
277	0.52	0.61	0.67	0.76	0.85	0.92	1.14
347	0.42	0.49	0.53	0.61	0.68	0.73	0.91
480	0.30	0.35	0.39	0.44	0.49	0.53	0.66

# OF LEDS	480					
NOMINAL WATTAGE	285	320	340	390	425	470
SYSTEM POWER (W)	286.2	316.7	338.4	392.2	423.2	468
INPUT VOLTAGE (V)	CURRENT (Amps)					
120	2.38	2.67	2.83	3.25	3.54	3.92
208	1.37	1.54	1.63	1.88	2.04	2.26
240	1.19	1.33	1.42	1.63	1.77	1.96
277	1.03	1.16	1.23	1.41	1.53	1.70
347	0.82	0.92	0.98	1.12	1.22	1.35
480	0.59	0.67	0.71	0.81	0.89	0.98

# OF LEDS	720				
NOMINAL WATTAGE	435	475	515	565	600
SYSTEM POWER (W)	429.3	475	519.1	565.2	599.9
INPUT VOLTAGE (V)	CURRENT (Amps)				
120	3.63	3.96	4.29	4.71	5.00
208	2.09	2.28	2.48	2.72	2.88
240	1.81	1.98	2.15	2.35	2.50
277	1.57	1.71	1.86	2.04	2.17
347	1.25	1.37	1.48	1.63	1.73
480	0.91	0.99	1.07	1.18	1.25



VIPER Area/Site

VIPER LUMINAIRE

DATE: _____ LOCATION: _____

TYPE: _____ PROJECT: _____

CATALOG #: _____

ELECTRICAL DATA: STRIKE

# OF LEDS	36				
NOMINAL WATTAGE	39	55	85	105	120
SYSTEM POWER (W)	39.6	56.8	83.6	108.2	120.9
INPUT VOLTAGE (V)	CURRENT (Amps)				
120	0.33	0.46	0.71	0.88	0.96
208	0.19	0.26	0.41	0.50	0.55
240	0.16	0.23	0.35	0.44	0.48
277	0.14	0.20	0.31	0.38	0.42
347	0.11	0.16	0.24	0.30	0.33
480	0.08	0.11	0.18	0.22	0.24

# OF LEDS	72				
NOMINAL WATTAGE	115	145	180	210	240
SYSTEM POWER (W)	113.7	143.2	179.4	210.2	241.7
INPUT VOLTAGE (V)	CURRENT (Amps)				
120	1.00	1.21	1.50	1.75	1.79
208	0.58	0.70	0.87	1.01	1.03
240	0.50	0.60	0.75	0.88	0.90
277	0.43	0.52	0.65	0.76	0.78
347	0.35	0.42	0.52	0.61	0.62
480	0.25	0.30	0.38	0.44	0.45

# OF LEDS	108				
NOMINAL WATTAGE	215	250	280	325	365
SYSTEM POWER (W)	214.8	250.8	278.3	324.7	362.6
INPUT VOLTAGE (V)	CURRENT (Amps)				
120	2.00	2.08	2.33	3.04	2.67
208	1.15	1.20	1.35	1.75	1.54
240	1.00	1.04	1.17	1.52	1.33
277	0.87	0.90	1.01	1.32	1.16
347	0.69	0.72	0.81	1.05	0.92
480	0.50	0.52	0.58	0.76	0.67

# OF LEDS	162					
NOMINAL WATTAGE	320	365	405	445	485	545
SYSTEM POWER (W)	322.1	362.6	403.6	445.1	487.1	543.9
INPUT VOLTAGE (V)	CURRENT (Amps)					
120	2.71	2.67	3.38	3.71	4.04	4.54
208	1.56	1.54	1.95	2.14	2.33	2.62
240	1.35	1.33	1.69	1.85	2.02	2.27
277	1.17	1.16	1.46	1.61	1.75	1.97
347	0.94	0.92	1.17	1.28	1.40	1.57
480	0.68	0.67	0.84	0.93	1.01	1.14

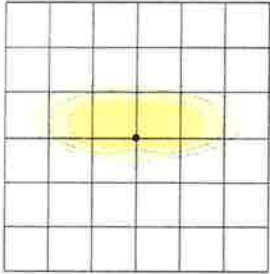
VIPER Area/Site

VIPER LUMINAIRE

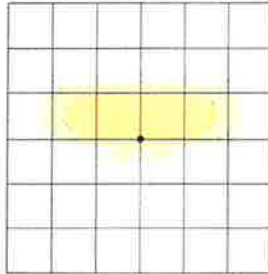
OPTIC STRIKE PHOTOMETRY

The following diagrams represent the general distribution options offered for this product. For detailed information on specific product configurations, see website photometric test reports.

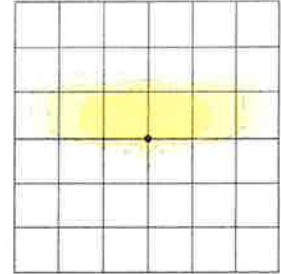
Type FR – Front Row/Auto Optic



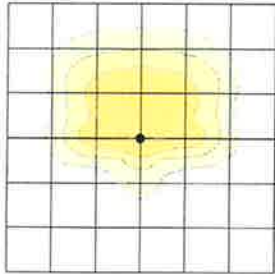
Type 2



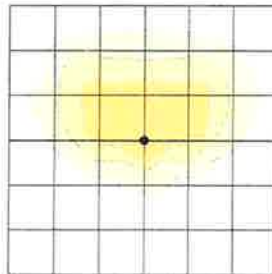
Type 3



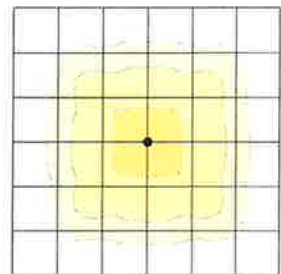
Type 4 Forward



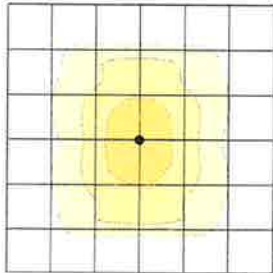
Type 4 Wide



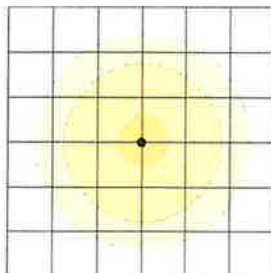
Type 5QM



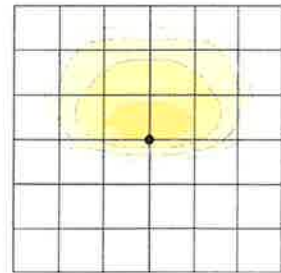
Type 5R (rectangular)



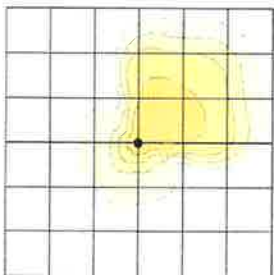
Type 5W (round wide)



Type TC



Type Corner





VIPER Area/Site

VIPER LUMINAIRE

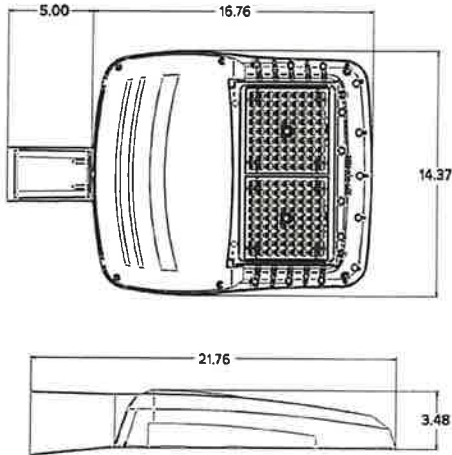
DATE: _____ LOCATION: _____

TYPE: _____ PROJECT: _____

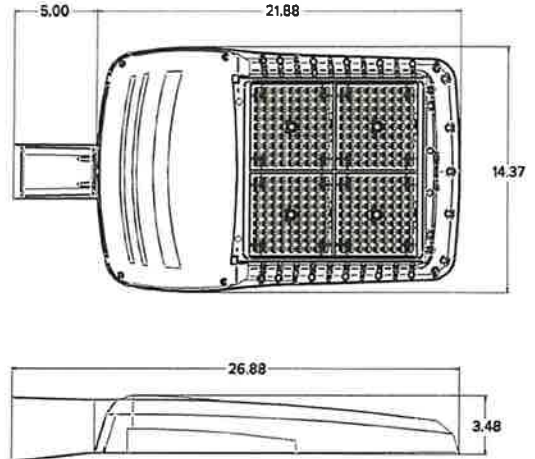
CATALOG #: _____

DIMENSIONS

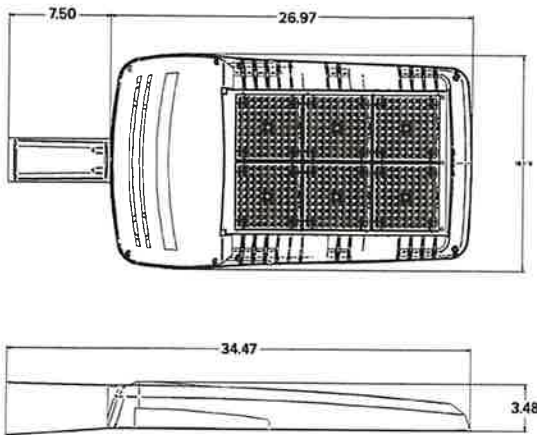
SIZE 1



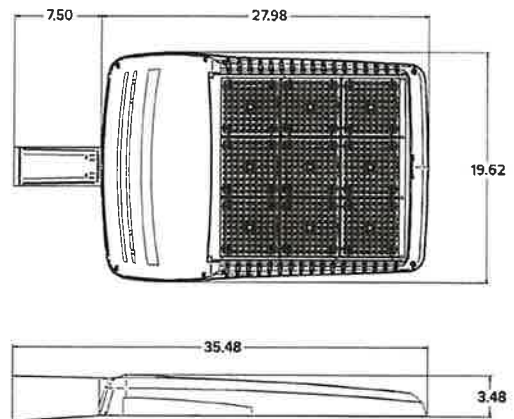
SIZE 2



SIZE 3



SIZE 4



	EPA				Config.
	VP1 (Size 1)	VP2 (Size 2)	VP3 (Size 3)	VP4 (Size 4)	
Single Fixture	0.454	0.555	0.655	0.698	
Two at 180	0.908	1.110	1.310	1.396	
Two at 90	0.583	0.711	0.857	0.948	
Three at 90	1.037	1.266	1.512	1.646	
Three at 120	0.943	1.155	1.392	1.680	
Four at 90	1.166	1.422	1.714	1.896	

	Weight	
	lbs	kgs
VP1 (Size 1)	13.7	6.2
VP2 (Size 2)	16.0	7.26
VP3 (Size 3)	25.9	11.7
VP4 (Size 4)	30.8	13.9

VIPER Area/Site

VIPER LUMINAIRE

MOUNTING



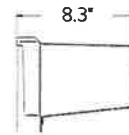
A-STRAIGHT ARM MOUNT

Fixture ships with integral arm for ease of installation. Compatible with Current Outdoor B3 drill pattern for ease of installation on square poles. For round poles add applicable suffix (2/3/4/5)



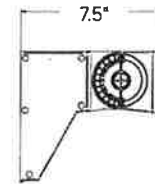
ASQU-UNIVERSAL ARM MOUNT

Universal mounting block for ease of installation. Compatible with drill patterns from 2.5" to 4.5" and Current drill pattern S2. For round poles add applicable suffix (2/3/4/5)



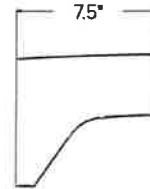
AAU-ADJUSTABLE ARM FOR POLE MOUNTING

Rotatable arm mounts directly to pole. Compatible with drill patterns from 2.5" to 4.5" and Current drill pattern S2 and B3. For round poles add applicable suffix (2/3/4/5). Rotatable in 15° aiming angle increments. Micro Strike configurations have a 45° aiming limitation. Strike configurations have a 30° aiming limitation.



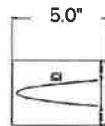
ADU-DECORATIVE UPSWEPT ARM

Upswept Arm compatible with drill patterns from 2.5" to 4.5" and Current drill pattern S2. For round poles add applicable suffix (2/3/4/5).



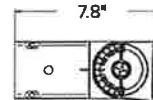
MAF-MAST ARM FITTER

Fits 2-3/8" OD horizontal tenons.



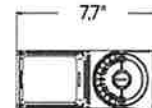
K-KNUCKLE

Knuckle mount 15° aiming angle increments for precise aiming and control, fits 2-3/8" tenons or pipes. Micro Strike configurations have a 45° aiming limitation. Strike configurations have a 30° aiming limitation.



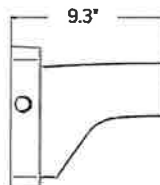
T-TRUNNION

Trunnion for surface and crossarm mounting using (1) 3/4" or (2) 1/2" size through bolts. Micro Strike configurations have a 45° aiming limitation. Strike configurations have a 30° aiming limitation.



WM-WALL MOUNT

Compatible with universal arm mount, adjustable arm mount, and decorative arm mount. The WA option uses the same wall bracket but replaces the decorative arm with an adjustable arm.



VIPER Area/Site

VIPER LUMINAIRE

ADDITIONAL INFORMATION (CONTINUED)

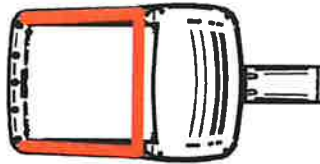
HOUSE SIDE SHIELD FIELD INSTALL ACCESSORIES

HSS has a depth of 5" for all Viper sizes
 Not to be used with Occupancy Sensors as the shield may block the light to the sensor.

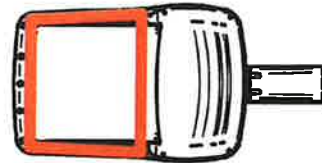
VPR2x HSS-90-B-xx



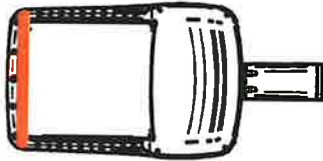
VPR2x HSS-270-BSS-xx



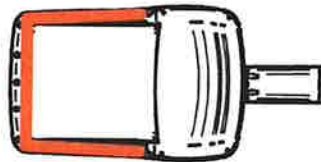
VPR2x HSS-360-xx



VPR2x HSS-90-F-xx



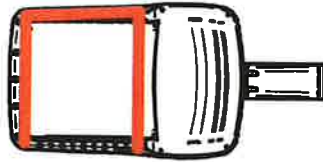
VPR2x HSS-270-FSS-xx



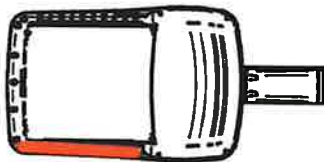
VPR2x HSS-90-S-xx



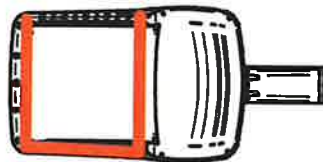
VPR2x HSS-270-FSB-xx



VPR2x HSS-90-S-xx



VPR2x HSS-270-FSB-xx





DATE: _____ LOCATION: _____

TYPE: _____ PROJECT: _____

CATALOG #: _____

VIPER Area/Site

VIPER LUMINAIRE

ADDITIONAL INFORMATION (CONTINUED)

PROGRAMMED CONTROLS

ADD-AutoDim Timer Based Options

- Light delay options from 1-9 hours after the light is turned on to dim the light by 10-100%. To return the luminaire to its original light level there are dim return options from 1-9 hours after the light has been dimmed previously.

EX: ADD-6-5-R6

ADD Control Options	Configurations Choices	Example Choice Picked
Auto-Dim Options	1-9 Hours	6 - Delay 6 hours
Auto-Dim Brightness	10-100% Brightness	5 - Dim to 50% brightness
Auto-Dim Return	Delay 0-9 Hours	R6 - Return to full output after 6 hours

ADT-AutoDim Time of Day Based Option

- Light delay options from 1AM-9PM after the light is turned on to dim the light by 10-100%. To return the luminaire to its original light level there are dim return options from 1AM-9PM after the light has been dimmed previously.

EX: ADT-6-5-R6

ADD Control Options	Configurations Choices	Example Choice Picked
Auto-Dim Options	12-3 AM and 6-11 PM	6 - Dim at 6PM
Auto-Dim Brightness	10-100% Brightness	5 - Dim to 50%
Auto-Dim Return	12-6 AM and 9-11P	R6 - Return to full output at 6AM